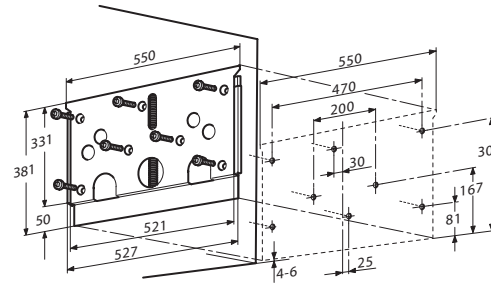
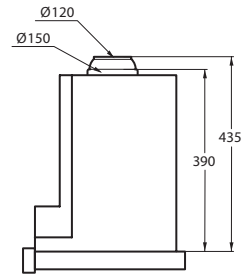
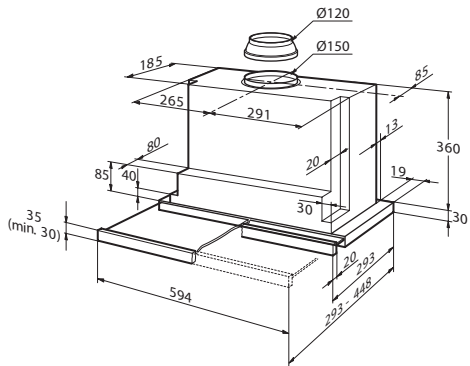


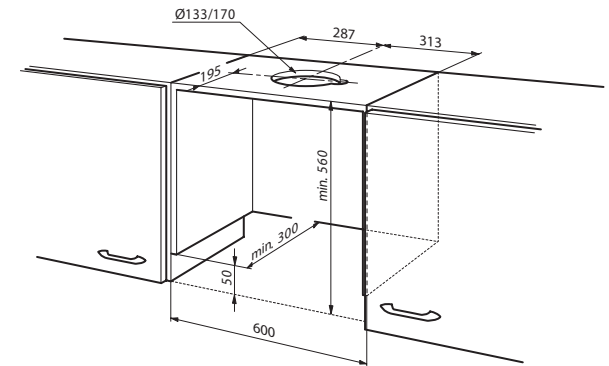
Telescopic hood

D4672

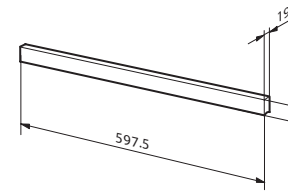
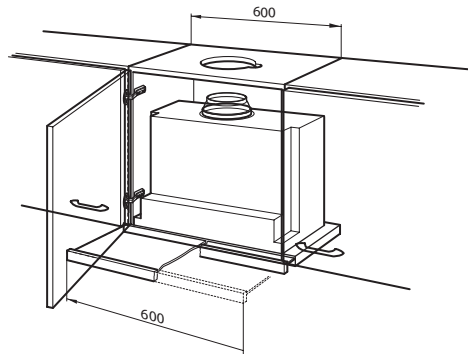
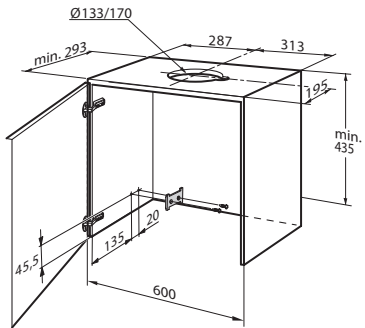
www.neff.co.uk



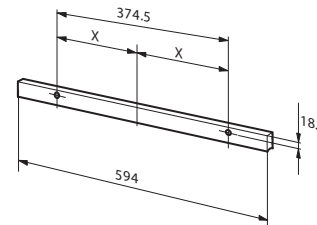
Lowering bracket Z5460X0 for D4692 and D4672 only



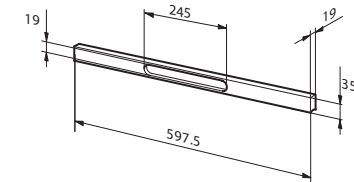
Installation requirements when using Z5460X0 lowering bracket



Front decor panel Z5776N0 suitable for D4692 and D4672 only



Fixing points for optional furniture lighting pelmet



Front decor panel Z5786 N0 for front facing Vario-control D4692X0 only

The line drawings are provided as a guide to general dimensions only and are subject to amendment without prior notice. For full dimensional and installation details please refer to the documentation supplied with the appliance.

